



A4 ALUMINIUM STEP BAR

Part No. AL4013B



Fits: 2019-2020 FORD RANGER SUPERCAB



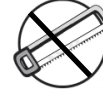
REMOVE CONTENTS FROM BOX. VERIFY ALL PARTS ARE PRESENT.

READ INSTRUCTIONS CAREFULLY BEFORE STARTING INSTALLATION.

DO NOT OVER TORQUE. STANDARD OPERATING LOAD FOR TIGHTENING BODY MOUNT NUTS & BOLTS VARIES FROM 18 TO 20 FOOTPOUND FOR M8 AND 35 TO 40 FOOTPOUND FOR M10 HARDWARE



120 mins



Cutting Not Required



Drilling Not Required



support@trailfx.com



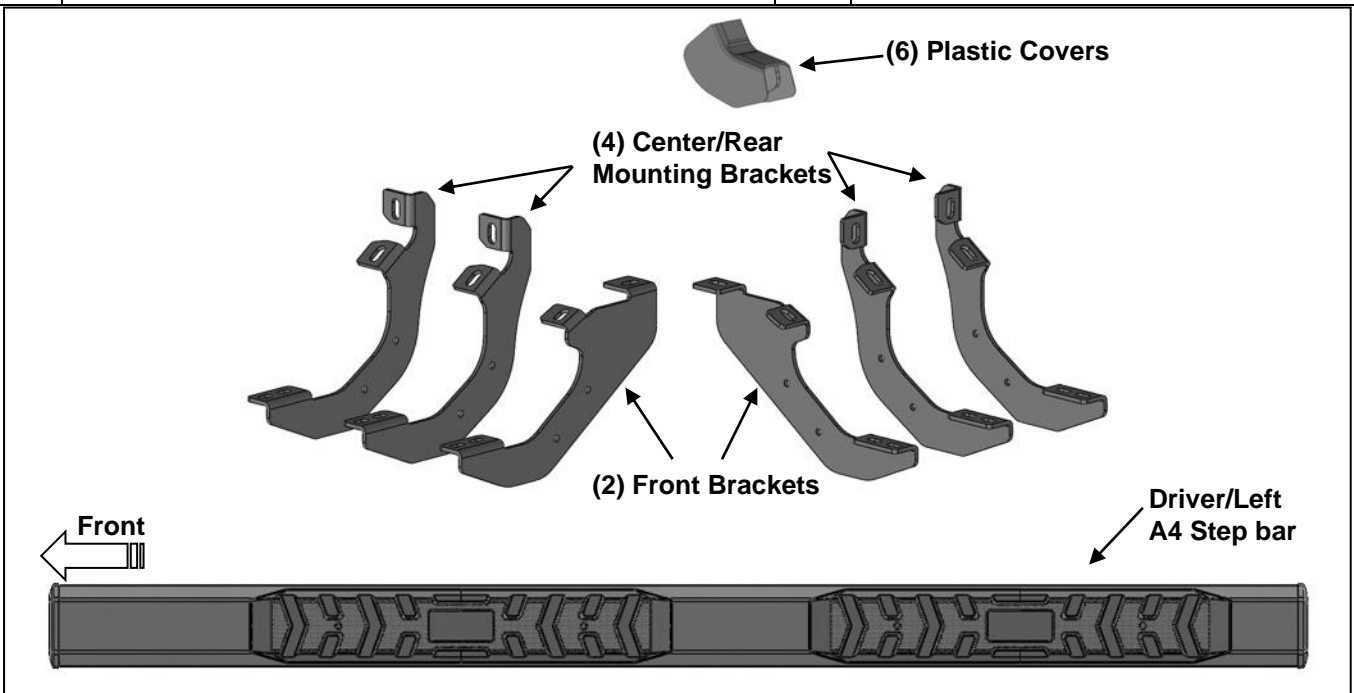
1- (866) 638 - 4870



POWDER COATED BLACK - LIMITED LIFETIME

PARTS LIST:

Qty	Part Description	Qty	Part Description
1	Driver/Left Sidebar	12	10mm Lock Washers
1	Passenger/Right Sidebar	12	10mm x 27mm x 3mm Flat Washers
2	Front Mounting Brackets	12	8-1.25mm x 20mm T-bolts
4	Center/Rear Mounting Brackets	12	8mm x 24mm OD x 2mm Flat Washers
6	Bracket Covers	12	8mm Lock Washers
12	Plastic Clips	12	8mm Hex Nuts
12	10-1.5mm x 25mm Hex Bolts		
REPLACEMENT PARTS LIST (NOT INCLUDED IN BOX)			
1	Step Pad Pack (Includes clips) - G9029	1	End Caps Pack - G9030
1	Bracket Cover Pack - G9031		



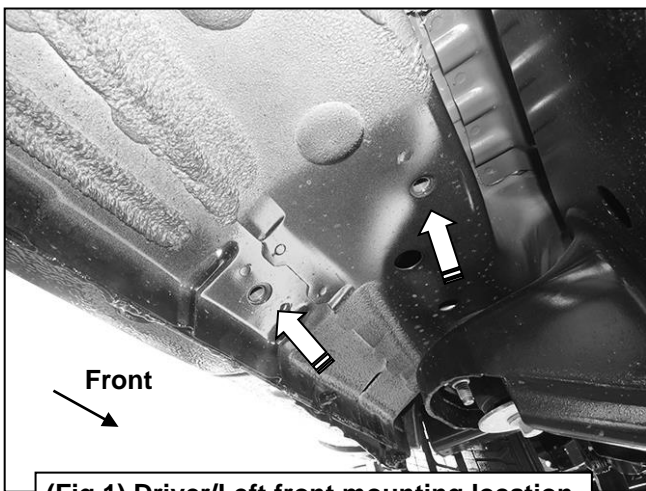
PROCEDURE:

1. REMOVE CONTENTS FROM BOX. VERIFY ALL PARTS ARE PRESENT. READ INSTRUCTIONS CAREFULLY BEFORE STARTING INSTALLATION.

2. Starting on the Driver/Left side inner rocker panel, locate the threaded mounting holes in the rocker panel, **(Figure 1)**. Remove the plastic plugs covering the mounting holes.
3. Select (1) Front Mounting Bracket. Attach the Bracket to the Driver/Left front location with (2) 10mm Hex Bolts, (2) 10mm Lock Washers and (2) 10mm Flat Washers **(Figure 2)**. Do not tighten hardware.
4. Select (1) Plastic Cover. Attach the Cover to the Mounting Bracket with (2) Plastic Clips, **(Figure 3)**.
5. Locate the center threaded holes, **(Figure 4)**. Repeat **Steps 2—4** to attach (1) Center/Rear Mounting Bracket. Do not tighten hardware.
6. Locate the rear threaded holes, **(Figure 5)**. Repeat **Steps 2—4** to attach (1) Center/Rear Mounting Bracket. Do not tighten hardware.
7. Select the Driver/Left A4 Step Bar. Insert (6) T-Bolts into the channels in the bottom of the Sidebar, (3) per channel, **(Figure 6)**. Attach the Sidebar to the Mounting Brackets with (6) 8mm Flat Washers, (8) 8mm Lock Washers and (6) 8mm Hex Nuts, **(Figure 7)**. Do not tighten hardware.
8. Level and adjust Sidebar and tighten all hardware.
9. Repeat **Steps 2—8** to attach the Passenger/Right Sidebar.
10. Do periodic inspections to the installation to make sure that all hardware is secure and tight.

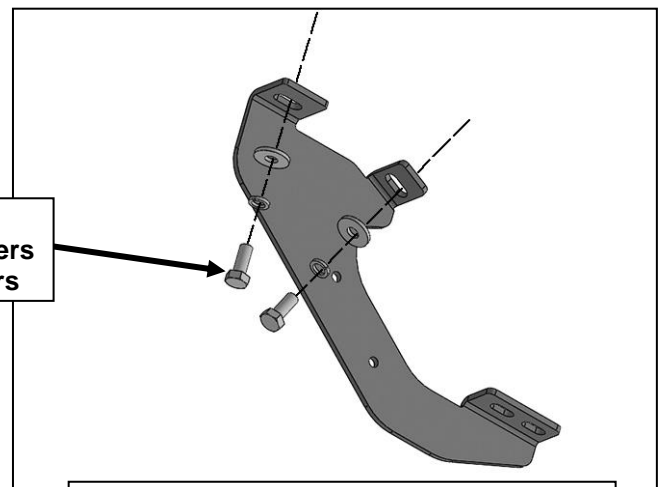
To protect your investment, Do not use any type of polish or wax that may contain abrasives that could damage the finish. Mild soap may be used to clean the Sidebar.

Driver/Left side Installation Pictured

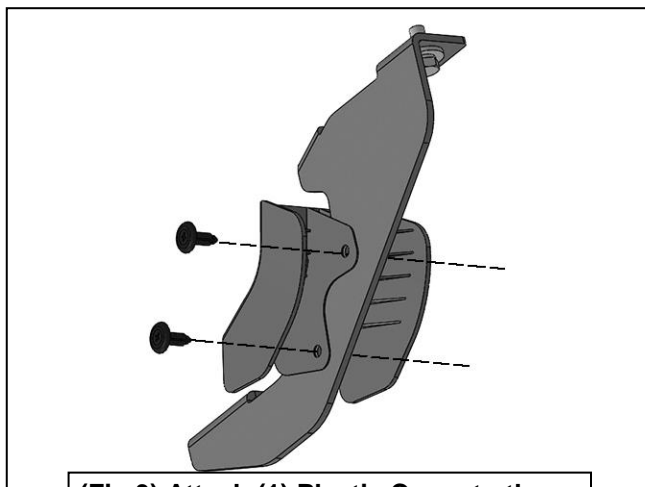


(Fig 1) Driver/Left front mounting location

(2) 10mm Hex Bolts
(2) 10mm Lock Washers
(2) 10mm Flat Washers

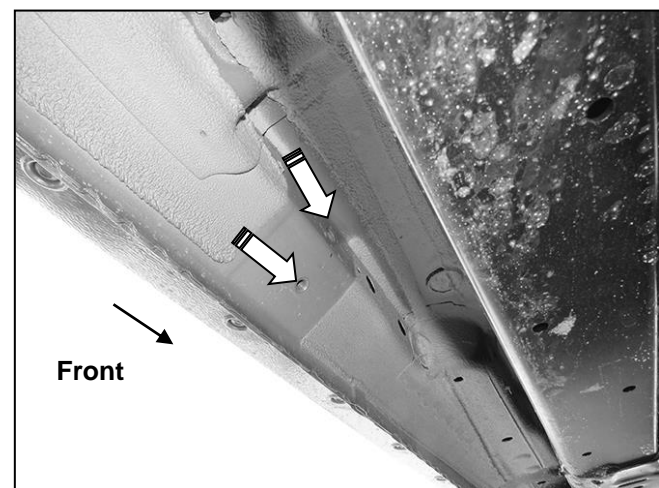


(Fig 2) Attach (1) Front Mounting Bracket to the front rocker panel location

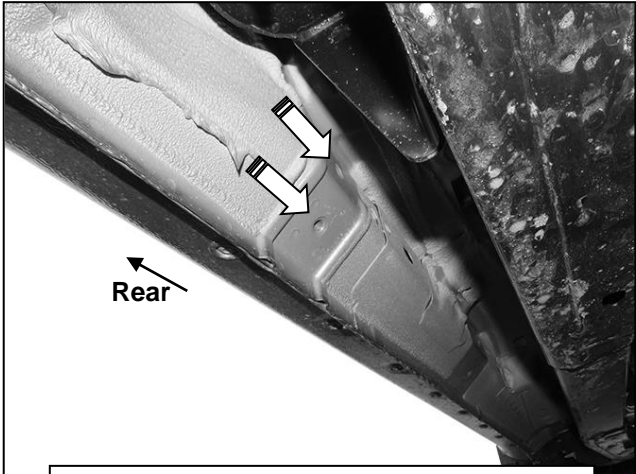


(Fig 3) Attach (1) Plastic Cover to the Mounting Bracket with (2) Plastic Clips

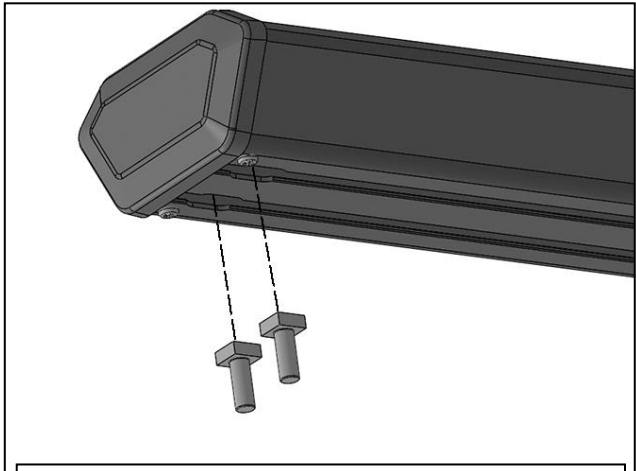
(Fig 4) Driver/Left center mounting location



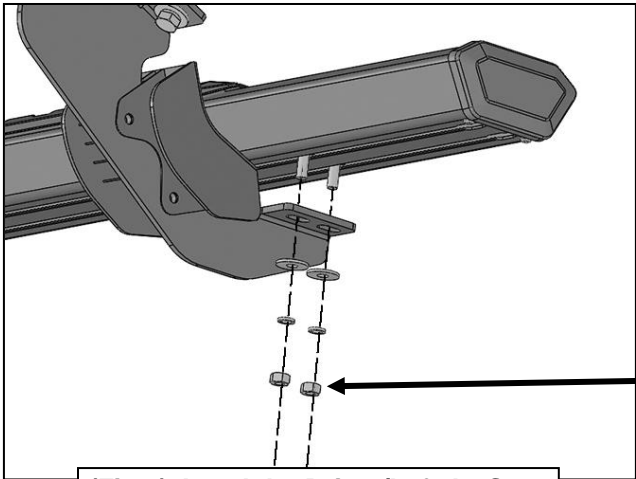
Driver/Left side Installation Pictured



(Fig 5) Driver/Left rear mounting location



(Fig 6) Insert (6) T-Bolts into the channels into the bottom of the Sidebar, (3) per channel



(Fig 7) Attach the Driver/Left A4 Step Bar to the Mounting Brackets

- (2) 8mm Hex Nuts**
- (2) 8mm Lock Washers**
- (2) 8mm Flat Washers**

PRODUCT CARE

- Periodically check the product to ensure all fasteners are tight and components are intact.
- For cleaning, use mild soap and warm water with a soft cloth or brush to prevent scratching.

FAQ's**1. Hardware and mounting brackets are not aligning properly**

Ensure that hardware is being used on the correct side of the vehicle. In some cases, the hardware may appear same for driver or passenger side but may alter the alignment of mounting location. Check mounting brackets for both sides.

2. Step Bar is not aligning with vehicle / doors

Step bars may be interchanged or reversed (Driver / Passenger Side). Check step bar for each side as well ensure the proper hardware has been used for each side.

3. Products are thumping / rattling after installation.

Ensure that all required mounting brackets / hardware's are installed & tighten correctly. Suggest using white lithium / regular grease between metal to metal contact.

4. Missing / Excess Hardware.

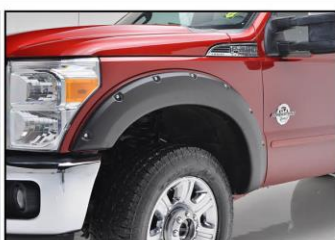
Recheck hardware count as per the part list.

5. Product not installing properly.

Ensure the Year / Make / Model as well as cab and bed dimensions are correct for the application. Review all steps for installation to ensure they were followed correctly.

6. Who should be contacted for questions regarding product / installation assistance?

www.trailfx.com / support@trailfx.com 1-(866) 638-4870

Check out these other TrailFX Products!www.trailfx.com**HOOD PROTECTOR****FENDER FLARES****TONNEAU COVER****BED LINERS**

Keystone Automotive Operations Inc. (KAO) warrants this product to be free of defects in material and workmanship at the time of purchase by the original retail consumer. KAO disclaims any other warranties, express or implied, including the warranty of fitness for a particular purpose or an intended use. If the product is found to be defective, KAO may replace or repair the product at our option, when the product is returned prepaid, with proof of purchase. Alteration to, improper installation, or misuse of this product voids the warranty. KAO's liability is limited to repair or replacement of products found to be defective, and specifically excludes liability for any incidental or consequential loss or damage.